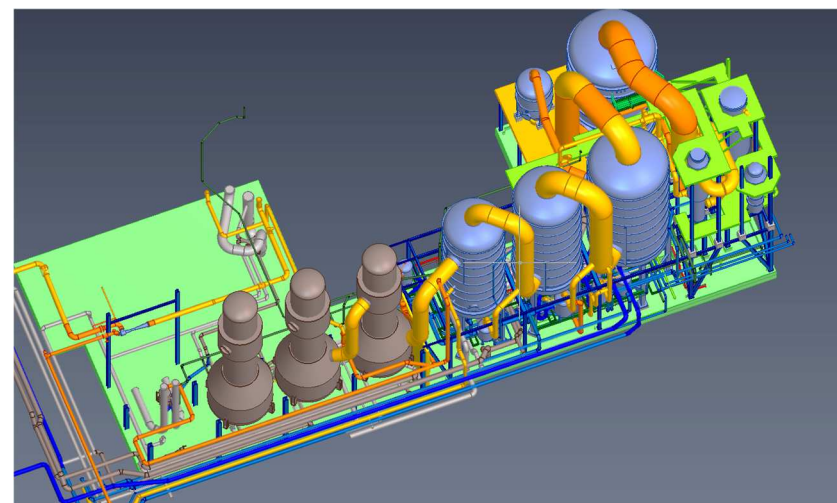


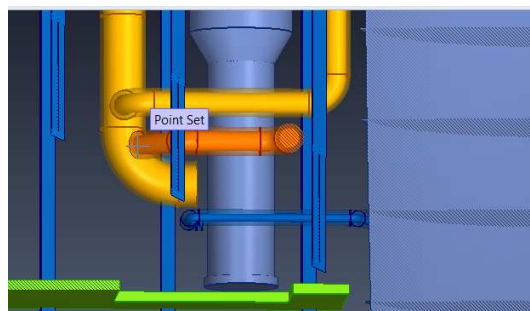
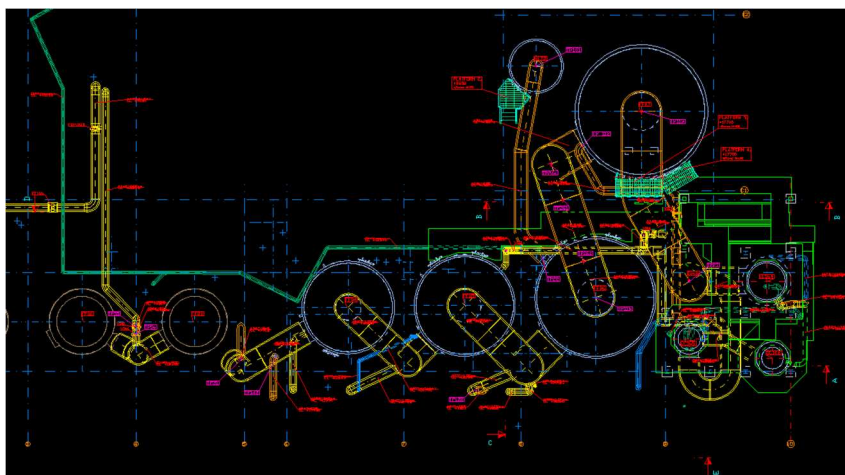
**EWS 32 Snížení energetické náročnosti a výroba biopaliva při odpařování černého výluhu**

Rekonstrukce regenerační odparky – doplnění sedmého stupně odparky.

Prováděcí dokumentace



**EWS 32 Snížení energetické náročnosti a výroba biopaliva při odpařování černého výluhu**






Štětí

Mondi Štětí  
Mondi Štětí a.s.  
Litoměřická 272  
411 08, Štětí, Czech Republic

## EWS 32 Snížení energetické náročnosti a výroba biopaliva při odpařování černého výluhu



Mondi Štětí a.s.  
Litoměřická 272, 411 08 Štětí  
Czech Republic  
Tel.: +420 415 801 111  
Fax: +420 415 802 255  
[www.mondigroup.com](http://www.mondigroup.com)

**CELPIK – T, s. r. o.**  
Pod soudním Vrchem 4/2568  
669 02 Znojmo

This letter is written to express our complete satisfaction with the services provided by Celpik-T, s.r.o., and by it's representative Dan Trajhan in the project of improvement of the evaporation plant - „EWS 32 Reduction of energy consumption and production of bio-fuel in black extract evaporating“.

Mondi Štětí, a.s. was to install the next evaporating effect no.7 to the existing evaporation plant for black liquor. Supplier of the main equipment and the bearer of the technology was Andritz OY - ANDRITZ PULP & PAPER Recovery and Power Division Finland.

Celpik-T, s.r.o. was selected for a detail engineering part of the project. Requested services (listing of complete scope of supply is following) were provided in a professional manner, according to Mondí's requirements a needs of the erection company – creation of 3D model of the plant, including existing plant parts, isometries of pipelines..... Detail engineering was provided in predetermined time schedule, as well for a very reasonable fee. Engineering work was extended for an onsite author's supervision (for mill wide installation and full time supervision during shut-down).

Scope of engineering works :

- Complete piping routing and connections (used Cadmatic 3D model) – piping layouts, pipeline's isometries
- Piping material listings, for ordering and for erection
- Equipment and foundation layouts
- Detail time schedule of the piping erection including hourly time schedule of tie-in points connections during shut-down
- Listings of valves (manual, on/off, control), instruments for ordering
- Detail guide drawings for steel structures

Engineering work was provided without any mistakes and prepared avoiding any delays in material and component ordering as well no delays in piping erection. Celpik-T has accepted our additional requirements for necessary changes in the project assignment. Author's supervision on site has been very helpful and was set between Celpik T and erection company VAM Anlagentechnik GmbH Štětí to a Mondí's satisfaction. Project has fulfilled Mondí's expectations. Start up of the plant has passed without any faults and malfunctions, with all expectations of the evaporation capacity. Start-up has passed in time according to the whole mill time schedule.

Please feel free to ask me personally for any further information concerning cooperation with Celpik-T.s.r.o.



# ŠTĚTÍ Evaporation and metanol Certificate

*Celpik is awarded*

*as reliable, high quality*  
*Štětí evaporation and metanol*  
*supplier*



Date: January 12, 2012

Project manager 



Ing. Lubomír Kulišek  
Project Manager  
Mondi Štětí a.s.



Mondi Štětí a.s.  
Litoměřická 272, 411 08 Štětí  
Czech Republic  
Tel.: +420 415 801 111  
Fax: +420 415 802 255  
[www.mondigroup.com](http://www.mondigroup.com)